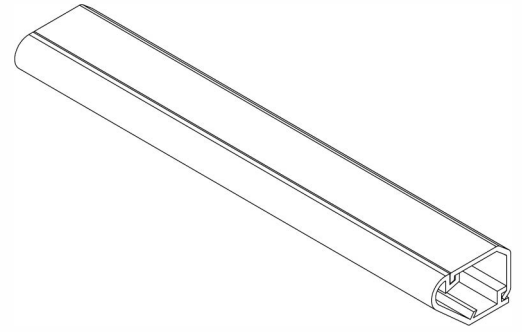


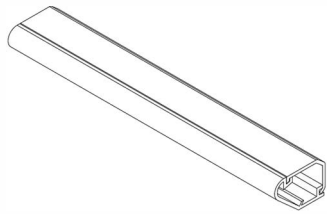
Contour Under Worktop Profile



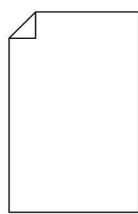
INSTALLATION INSTRUCTIONS

IMPORTANT: Please read these instructions before commencing installation and retain for future reference.

Components

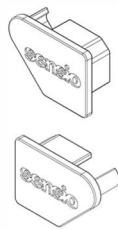


1 x Under Worktop Profile

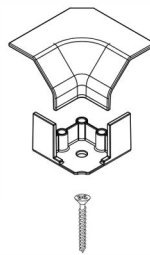


Instruction Manual

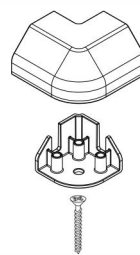
Accessories



SE97790
Left & Right End Cap



SE97890
Internal Corner Connector



SE97990
External Corner Connector

Tools Required



Drill Bit



Screw Driver



Power Drill

Important Safety Information

Please read these instructions carefully before attempting to install this product. It is advisable to keep these instructions in a safe place for future reference.

Please read the instructions supplied with your chosen LED flexible strip light and LED driver before attempting installation.

Other than the profile, which can be cut to size, these products must not be modified. If any modification are made it may invalidate the warranty and may render the product unsafe.

If you are installing a profile that is over 1 meter in length we advise that you request the help of a second person.

Install on smooth flat surface(s) only. Ensure that surfaces are free from dust and moisture.

For the flexible strip wattage, please refer to the flexible strip installation guide.

Product Codes:

SE98210 - Contour - 1.5 Meter Profile

SE98220 - Contour - 2.5 Meter Profile

SE97795 - End Cap Kit (1 x Left End Cap & 1 x Right End Cap)

SE97995 - 1 x External Corner Connector

SE97895 - 1 x Internal Corner Connector

Maintenance & Care

- To keep the finish of this product, gently wipe over with soft cloth periodically.
- Do not use harsh chemical solvents, this may dis-colour or damage the finish.

Waste Electrical & Electronic Equipment (WEEE)

The symbol on the product, or on the document accompanying the product, the crossed out wheellie bin symbol, indicates that this product may not be treated as household waste.

Instead it shall be handed over to the applicable collection point for the recycling of electrical and electronic waste.

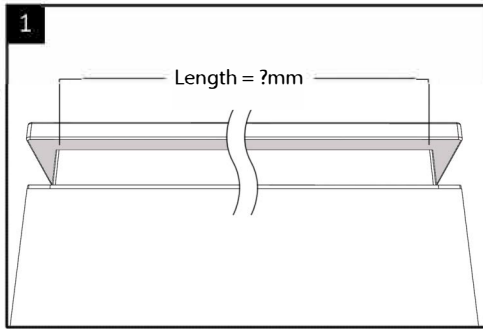


Sensio House, Unit 7, Speedwell Road, Whitwood, Castleford, West Yorkshire, WF10 5PY

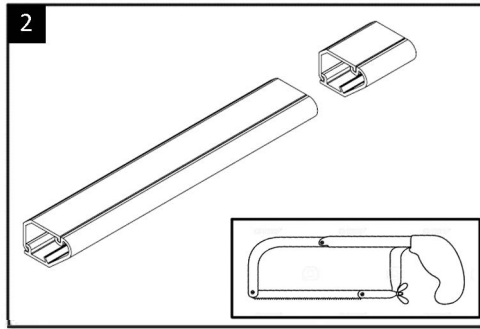
www.sensio.co.uk

Technical drawings for illustration purposes only, Sensio has the right to change any information without prior notice.

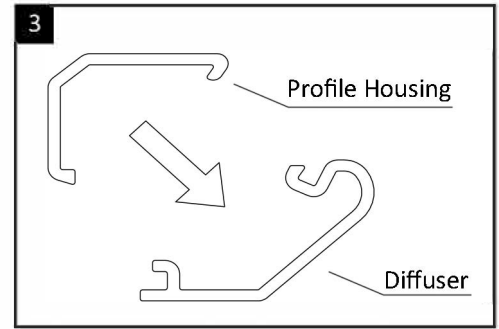
Installation



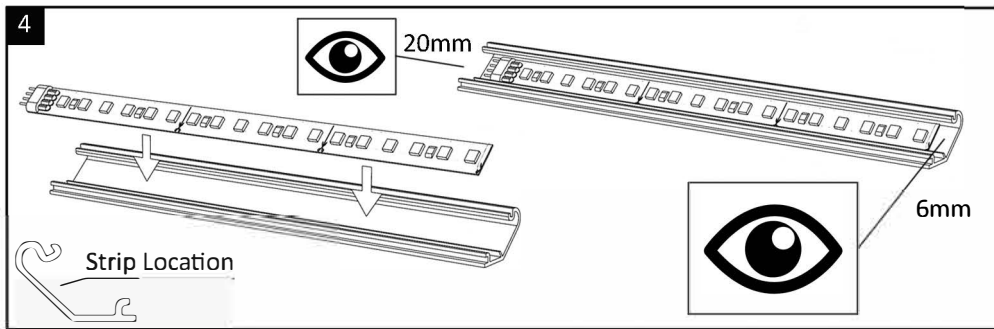
Measure the distance for the profile. Be careful to make sure you leave space for the end-caps and corner connectors (if they are required).



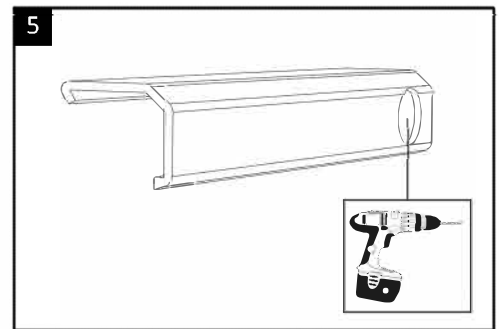
If required, cut the profile to your desired size using a hack saw. The flexible strip may also need to be cut to size at this stage.



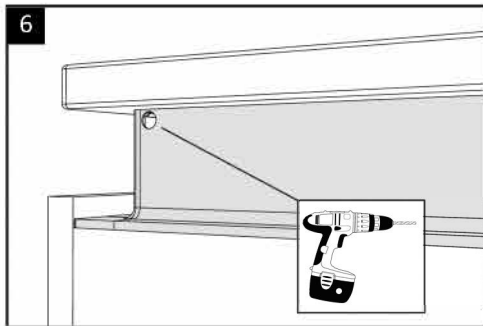
Separate the diffuser from the profile housing.



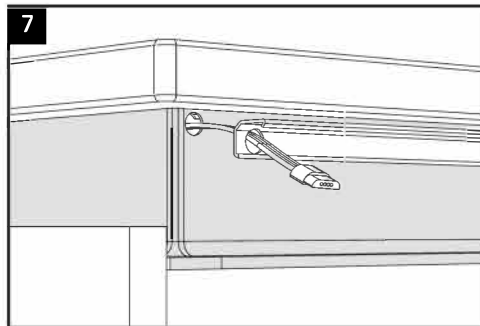
Remove the paper protecting the adhesive on the back of the flexible strip and carefully stick the strip on the inside of the diffuser. For the side of the strip where the connector will be, ensure that you leave a gap of approximately 20mm for the connection cable and the end-cap. On the opposite side, ensure that you leave at least 6mm for the end-cap. **Note:** At this stage be careful to plan around the location for the driver.



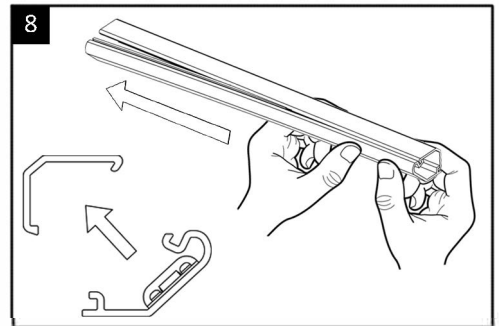
Drill a Ø8mm hole through the back of the profile housing on the side where the flexible strip will connect to the connection cable.



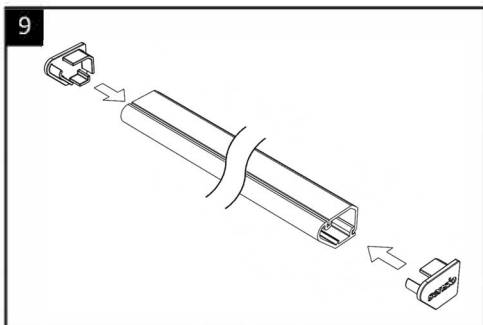
Drill a Ø8mm hole through the aluminium profile for the driver connection cable.



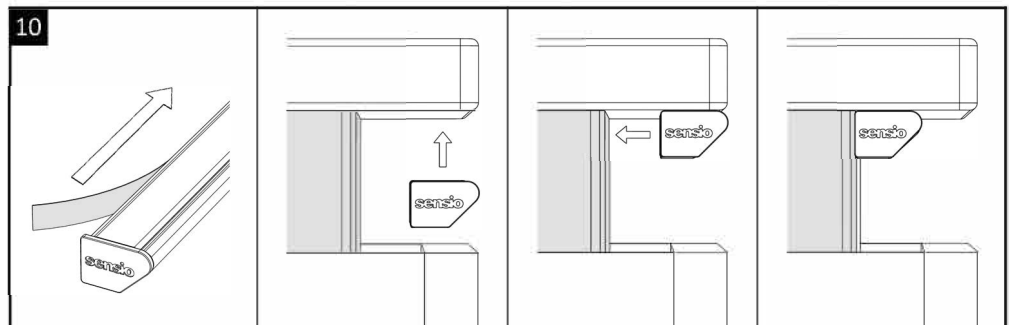
From the inside of the cabinet, thread the driver connection cable through the aluminium profile and through the profile housing.



Connect the flexible strip to the driver connection cable and proceed to clip the two parts of the profile together. **Important!** Start at one side of the profile. Once a connection is made use your thumb to apply pressure and slide along the rest of the profile in one continuous motion. Please ensure that the two parts of the profile are in the correct orientation before assembly.

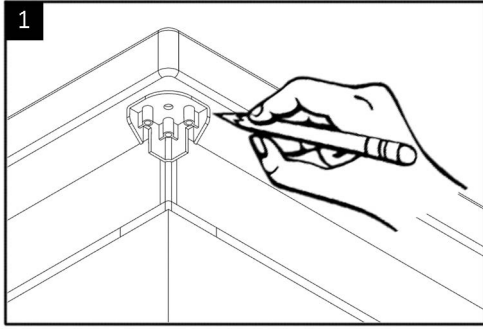


Insert the end-caps into the profile.



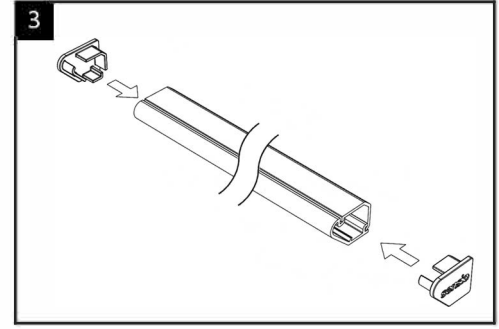
Peel the backing tape off of the adhesive transfer tape on the back of the profile. Proceed to hold the profile up against the underside of the worktop and then slide it backwards until the back of the profile meets the aluminium profile.

Installation - With Corner Connectors



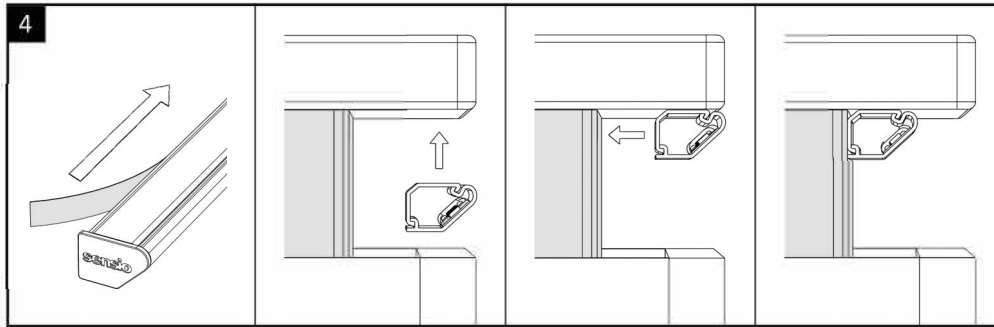
To begin with you will need to mark the locations for each corner connector. To do this accurately, hold the base of the corner in place and draw around it.

2
Follow stages 1-8 on the previous page before continuing.

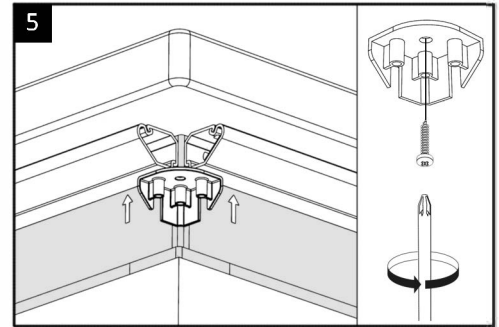


Insert the end caps into the profile.

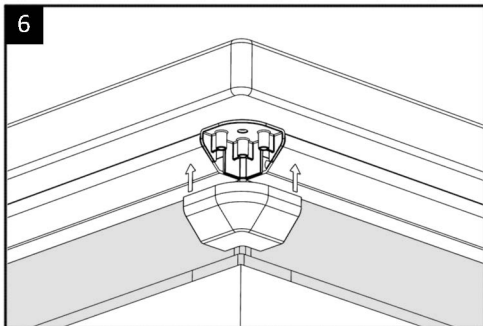
Note: Any side that meets a corner does not need an end cap.



Peel the backing tape off of the adhesive transfer tape on the back of the profile. Proceed to hold the profile up against the underside of the worktop and then slide it backwards until the back of the profile meets the aluminium profile.



Peel the backing tape off of the adhesive transfer tape and stick the base of the corner into position. If possible, re-enforce the connection by screwing the connector into the worktop.



Finally, peel the adhesive backing tape off of the corner cover and proceed to push it into the base.

Product Dimensions

